

SEMICONDUCTOR – References

Partnering along the whole value chain

GRADE 1



Tailor made solutions

ECOCOOL SCE-IDM
ECOCOOL SCS-IDM

GRADE 2



High performance metal working fluids

ECOCOOL GLOBAL 1000
ECOCOOL GLOBAL 10

Specialties by NYE



NYE LUBRICANTS

Specialty greases
Specialty fluids
Non-stick coatings

NYETORR®
NYECLEAN®
NYEVAC®

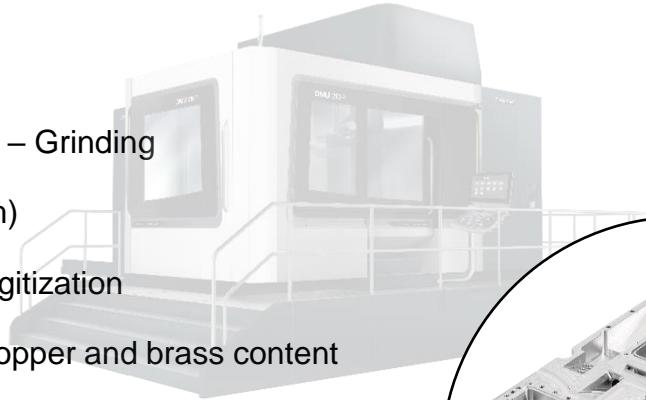
SEMICONDUCTOR

ALL IN ONE - Solutions for SEMICONDUCTOR applications

Machine

DMG MORI

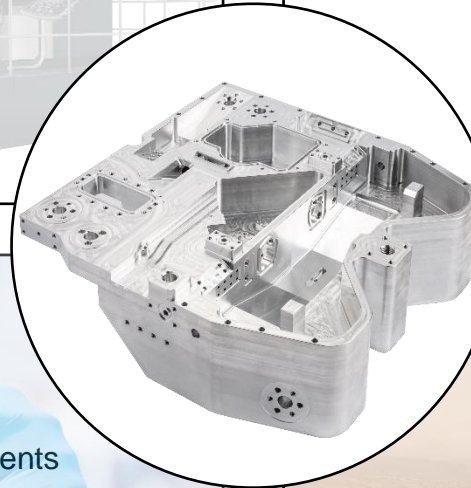
- 5X-Champion
- Milling – Turning – Grinding
- μPrecision (3 μm)
- Automation & Digitization
- Reduced zinc, copper and brass content



Lubricants

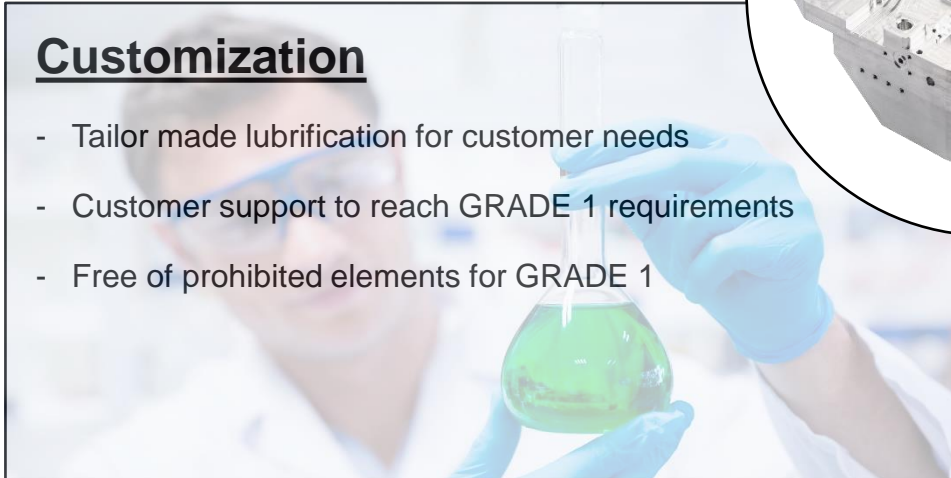


- High performance lubricants for high productivity
- Tailor made coolants for SEMICON industry
 - Cleaners, hydraulic oils and specialties
- FUCHS lubricants are tested and approved by DMG MORI



Customization

- Tailor made lubrication for customer needs
- Customer support to reach GRADE 1 requirements
- Free of prohibited elements for GRADE 1



Technology

- State of the art lubricants
- Fluid Analyzer
- Fluids Connect
- Product support with R&D

